



Specifications

Mechanical Life: 50,000 make-and-break cycles.
 Electrical Life: 6,000 cycles.
 Contact Resistance: 20 mΩ max. (initial value) @ 2-4 VDC 100 mA
 for both silver and gold plated contacts.
 Insulation Resistance: 1,000 MΩ min. at 1,000 VDC.
 Dielectric Strength: 1,000 Vrms min. @ sea level (initial value).
 Operating Temperature: -40°C to 85°C.

Ingree Protection:

Contact & Terminal Plating Options:

Contact Plating	Terminal Plating	Rated
Q Silver	Silver	3 Amps with resistant load @ 120 VAC or 28 VDC
C Gold over Silver	Gold over silver	1 Amps with resistant load @ 250 VAC
R Gold	Gold	0.4 Volt - Amps (VA) max. @ 20V max. (AC or DC)

Notes: All models with all options when ordered with Q or C contact material.

Materials

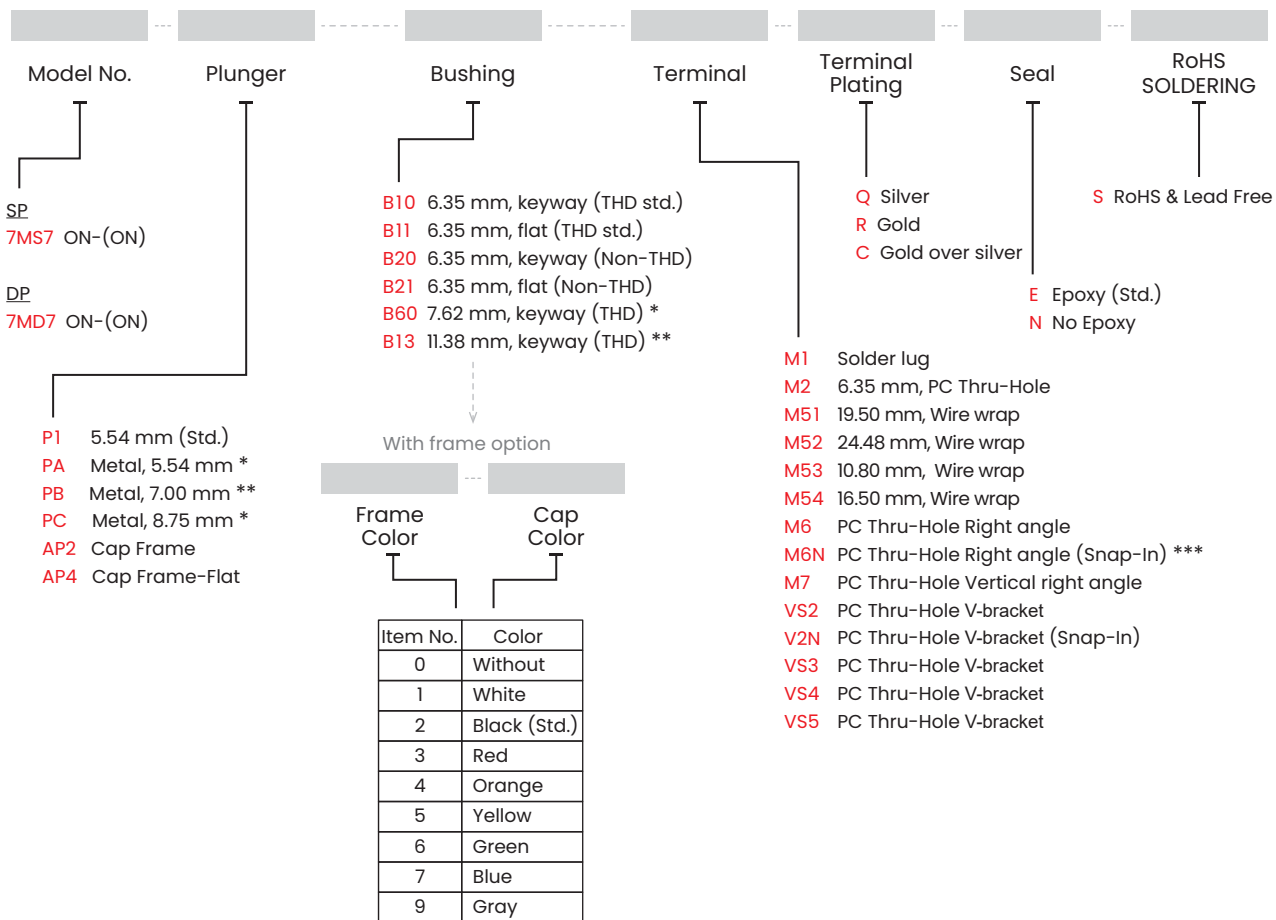
Case: Diallyl phthalate (DAP) (UL 94 V-0).
 Actuator: Nylon, black std.
 Bushing: Brass, nickel plated.
 Housing: Stainless steel.
 Frame: Nylon.
 Switch support: Brass, tin plated or stainless steel.
 Terminal/Contact: Copper or brass with silver or gold plated.

Soldering Process

Manual Soldering: Use 30 watts soldering iron and controlled the temperature at 350°. Duration of solder immersion: Max. 5 sec.
 Wave Soldering: Recommend soldering temperature: 260 ± 5°C Duration of solder immersion: Max. 5 sec. (PCB thickness is 1.6 mm (.063 inch))

HOW TO ORDER

Note: Specifications and availability subject to change without notice.



Note: Except standard color, for other colors information please consult sales representative.

EXAMPLE:

7MS7P1B11M1QES (Standard)

7MS7AP2 M1QES (Frame Type)

Cap color
 Frame color

Note: Plunger cap options see page 101.

- * PA, PC plunger are only available with B60 bushing.
- ** PB plunger are only available with B13 bushing.
- *** The M6N terminal can only used with SP model, this option is not available for bushing B60.

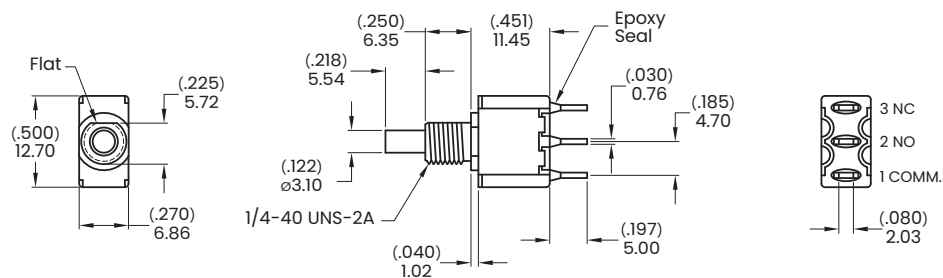


▼ SWITCH FUNCTION

No. Poles	UL/CSA Model No.	Model No.	Switch Function		Connected Terminals / Schematic	
			POS. 1	POS. 2	POS. 1	POS. 2
SP	Q2717	7MS7	ON	(ON)	1-3 	1-2
DP	Q2727	7MD7	ON	(ON)	1-3, 4-6 	1-2, 4-5

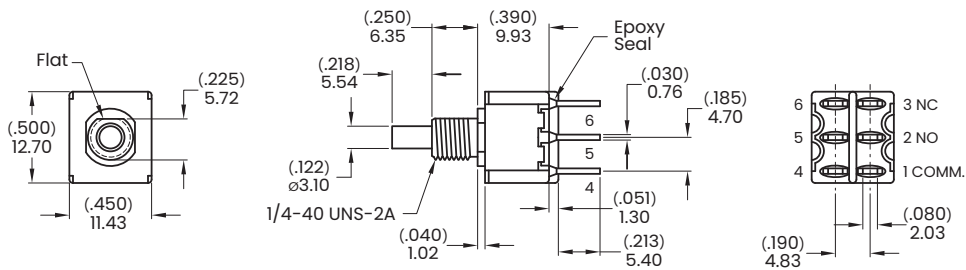
() = Momentary

▼ POLE OPTIONS



SPDT

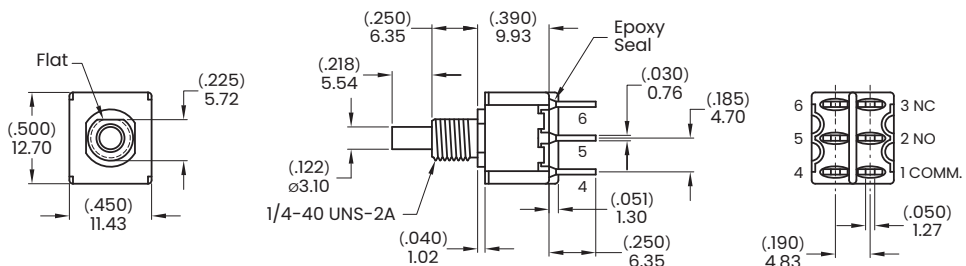
Model name. 7MS7PIB11MIQES



DPDT

Model name. 7MD7PIB11MIQES

M2



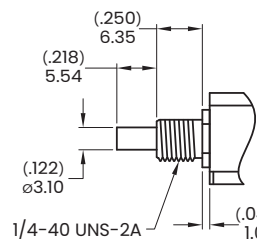
DPDT

Model name. 7MD7PIB11M2RES



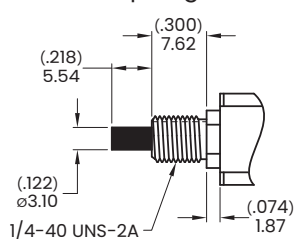
▼ **PLUNGER OPTIONS**

P1 Standard



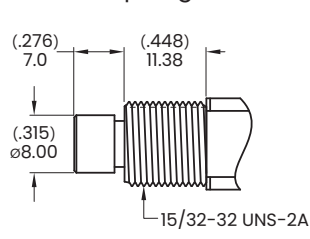
Note: For terminals M6, M6N, M7, VS2-5: -0.42 mm (.017 inch)

PA Metal plunger



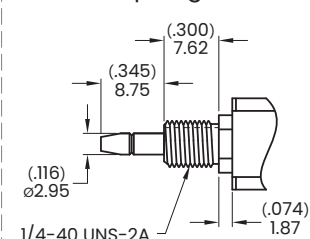
Standard for B60 Bushing
Note: For terminals M6, M7, VS2-5:
SP: -0.34 mm (.013 inch)
DP: -0.50 mm (.020 inch)

PB Metal plunger



Standard for B13 Bushing

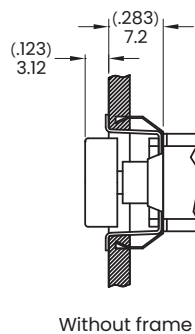
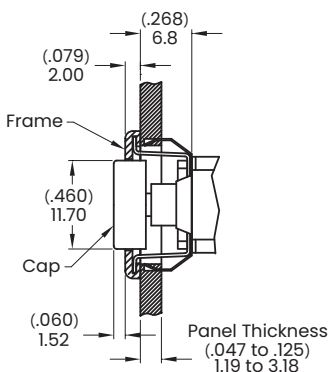
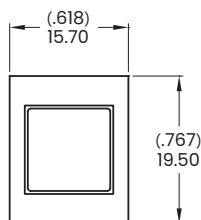
PC Metal plunger



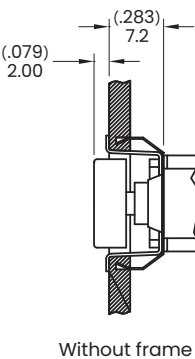
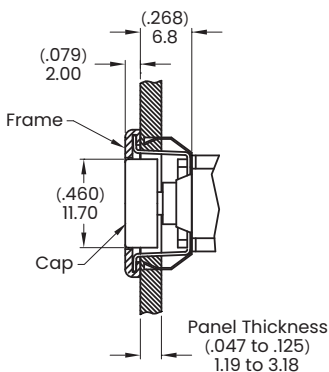
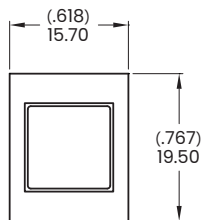
Standard for B60 Bushing
Note:
1. PC plunger only for K1 Cap.
2. For terminals M6, M7, VS2-5: -0.50 mm (.020 inch)

▼ **FRAME OPTIONS**

AP2

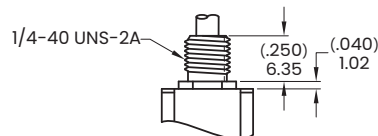
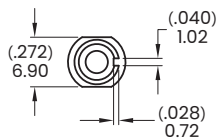


AP4 Cap (Flat)

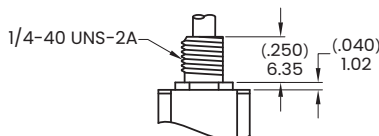
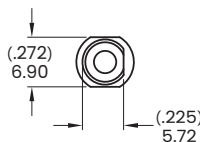


▼ **BUSHING OPTIONS**

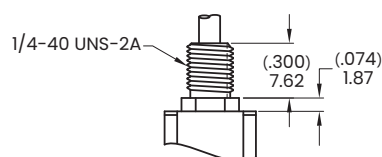
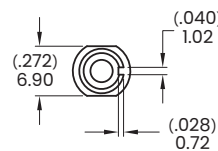
B10 THD Standard
B20 Non-THD



B11 THD Standard
B21 Non-THD



B60 THD

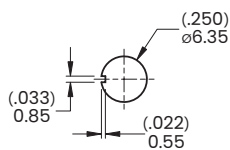


Only available for plungers PA and PC.
Note: Not applicable to terminal M6N.

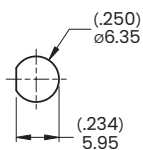


▼ **PANEL MOUNTING**

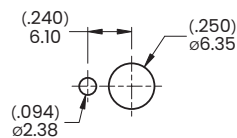
1/4-40 Inch Bushing



Without locking ring (Keyway)

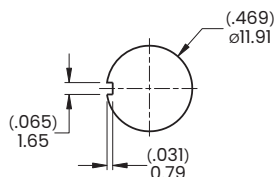


Without locking ring (Flat)

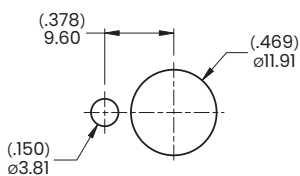


With standard locking ring.

15/32 Inch Bushing

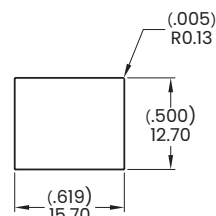


Without locking ring (Keyway)



With standard locking ring.

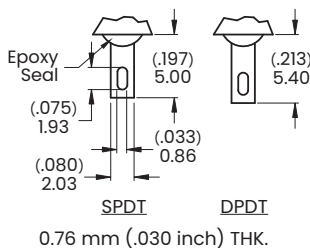
Frame



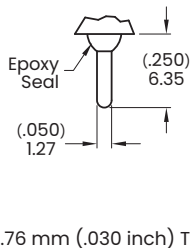
Increase to 15.75/15.88 mm (.620/.625 inch) for 2.31/3.18 mm (.091/.125 inch) thick panels.

▼ **TERMINAL OPTIONS**

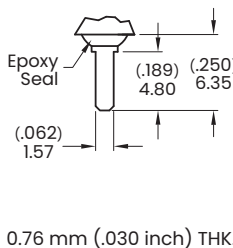
M1 Solder lug



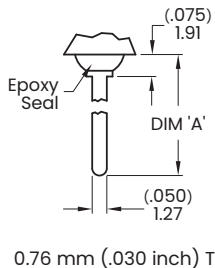
M2 PC Thru-Hole



M3 Quick connect

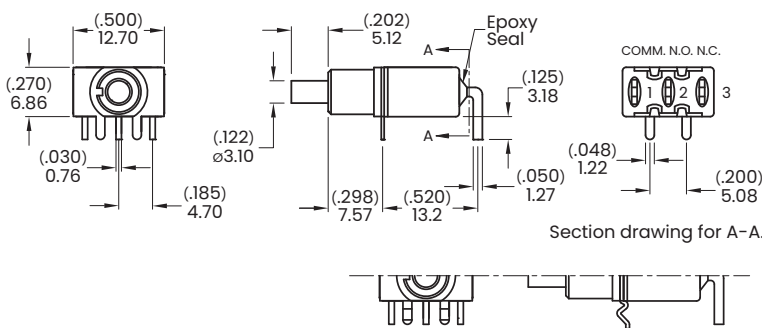


M5 Wire Wrap

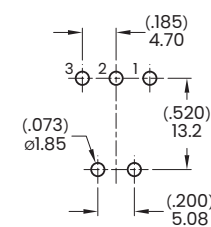


Option Code	DIM 'A'
M51	19.50 (.750)
M52	24.48 (.964)
M53	10.80 (.426)
M54	16.50 (.650)

M6



PCB Mounting

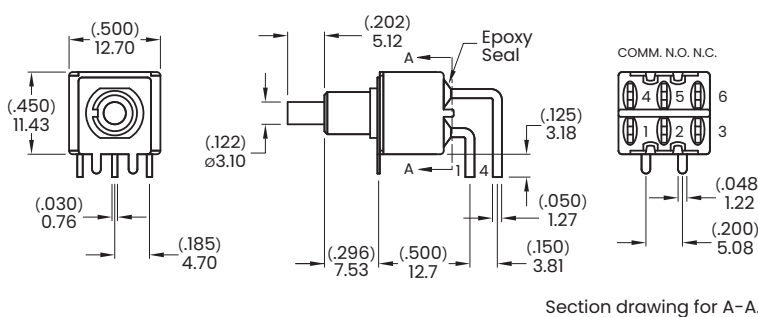


SPDT

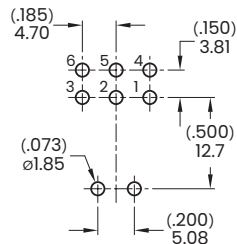
Model name. 7MS7PIB20M6QES

M6N (Snap-In)

M6



PCB Mounting

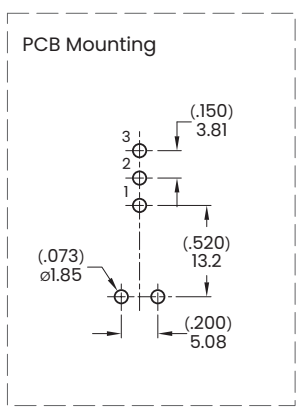
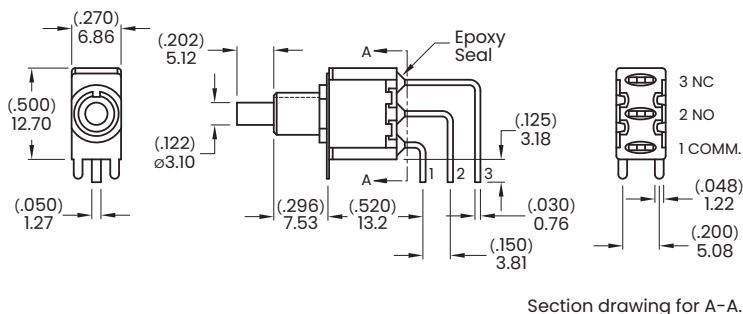


DPDT

Model name. 7MD7PIB20M6QES



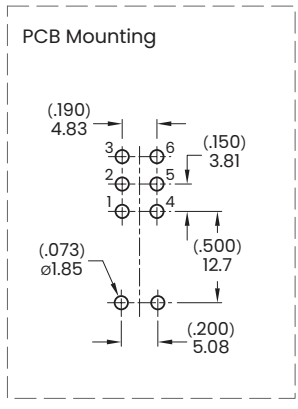
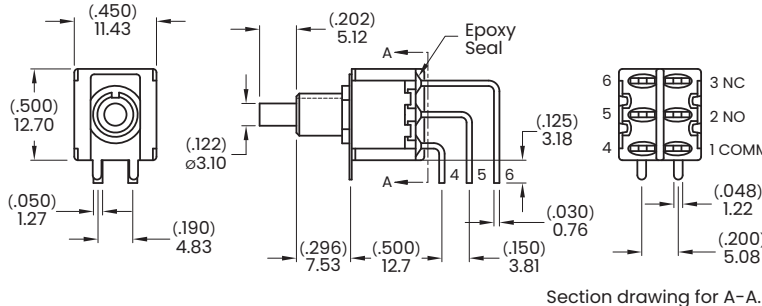
M7



SPDT

Model name. 7MS7PIB20M7QES

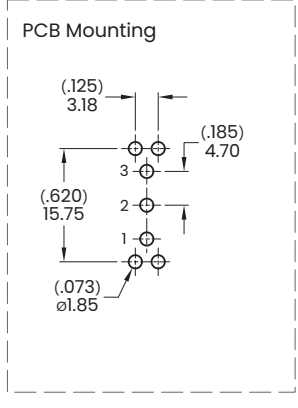
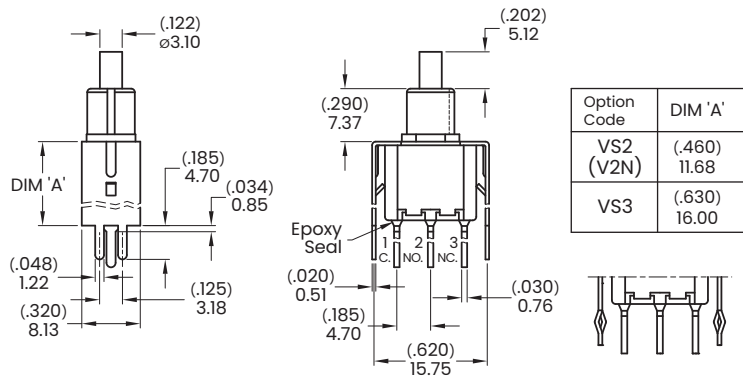
M7



DPDT

Model name. 7MD7PIB20M7RES

VS2 / VS3

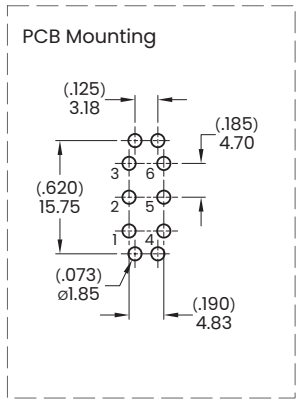
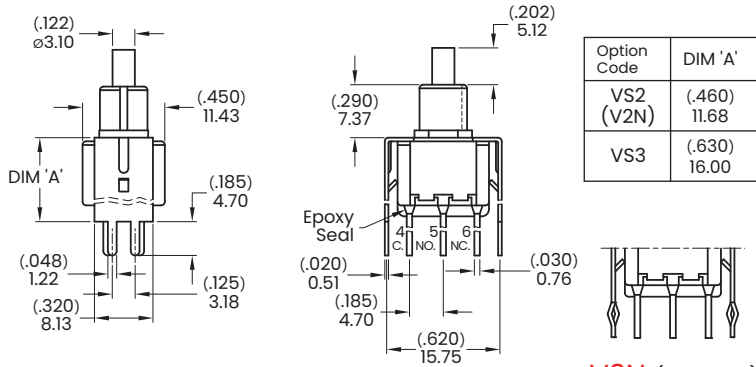


SPDT

Model name. 7MS7PIB20VS2RES

V2N (Snap-In)

VS2 / VS3

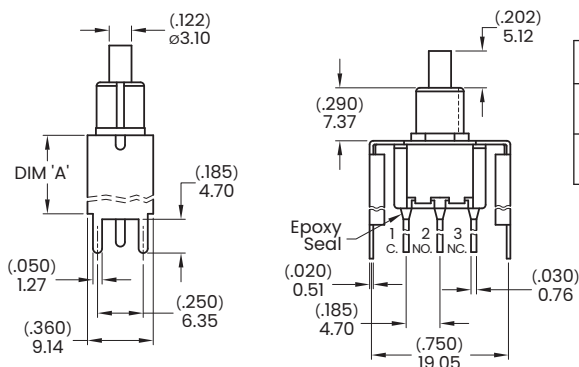


DPDT

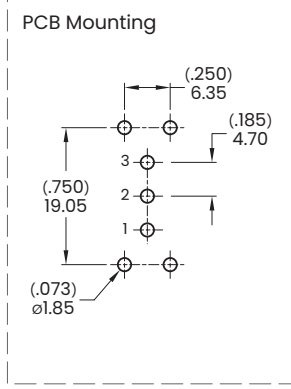
Model name. 7MD7PIB20VS2QES

V2N (Snap-In)

VS4 / VS5



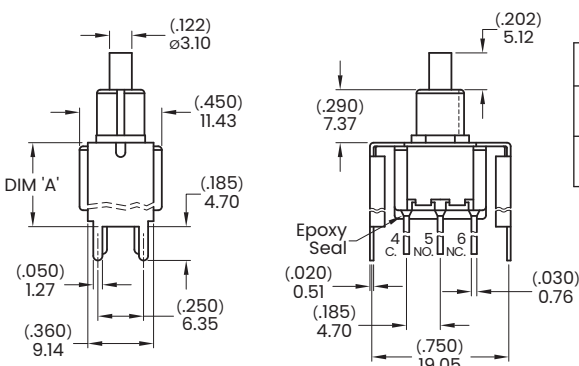
Option Code	DIM 'A'
VS4	(.460) 11.68
VS5	(.630) 16.00



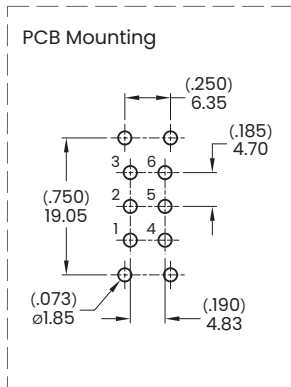
SPDT

Model name. 7MS7P1B20VS4QES

VS4 / VS5



Option Code	DIM 'A'
VS4	(.460) 11.68
VS5	(.630) 16.00

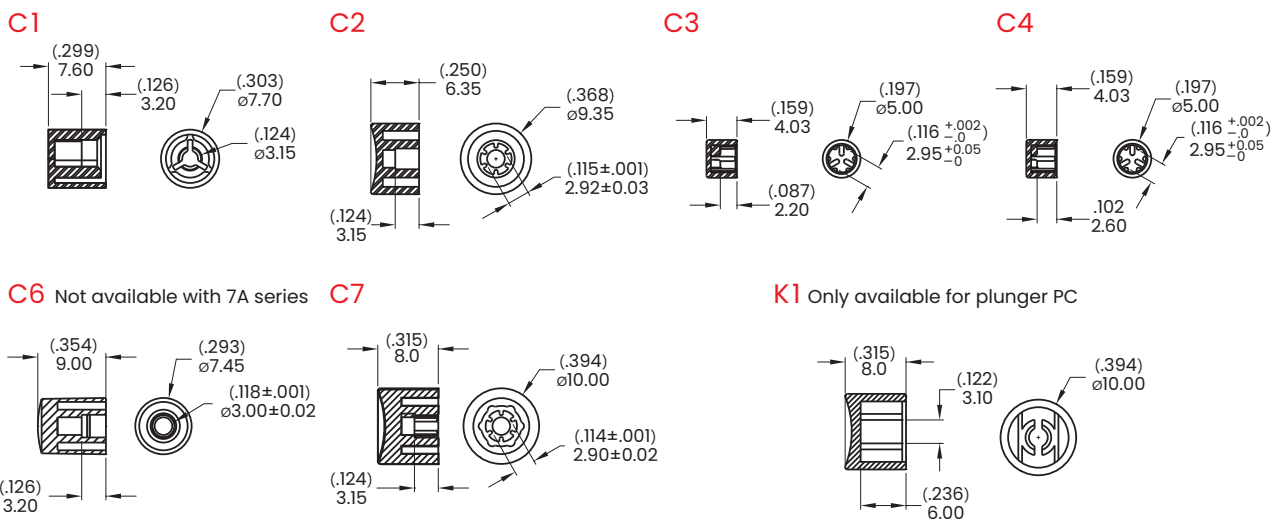


DPDT

Model name. 7MD7P1B20VS4QES

▼ PLUNGER CAP OPTIONS

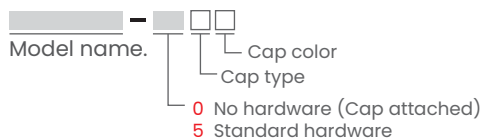
Note: Only available for 7M, 7A series



Cap Color :

ITEM NO.	COLOR
1	White (Std.)
2	Black (Std.)
3	Red (Std.)
5	Yellow
6	Green (Std.)
7	Blue
9	Gray

EXAMPLE:



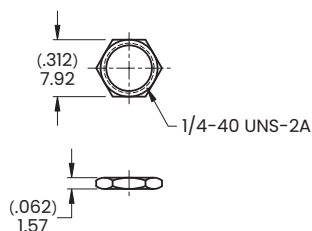


▼ HARDWARE

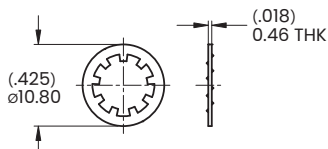
EXAMPLE: Model name. **5** Standard hardware

* Standard Hardware: 2 Nuts, 1 Locking Ring, 1 Lock Washer
* For further information please consult sales representative.

Hex Nut Standard
Model name. MNU-1M01A

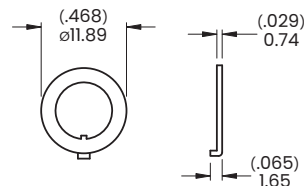


Lock Washer Standard
Model name. MNU-1M03



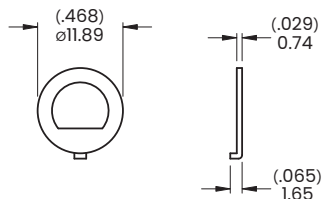
For 1/4-40 UNS-2A bushing

Locking Ring Standard
Model name. MNU-1M02



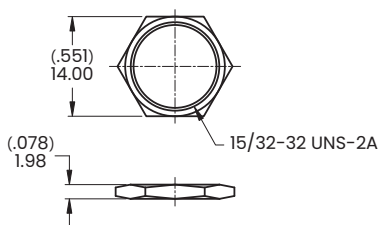
For 1/4-40 UNS-2A bushing

Locking Ring Standard
Model name. MNU-1M11

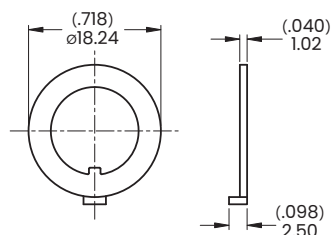


For 1/4-40 UNS-2A bushing

Hex Nut Standard
Model name. MNU-1M07

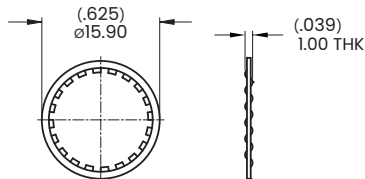


Locking Ring Standard
Model name. MNU-1M08



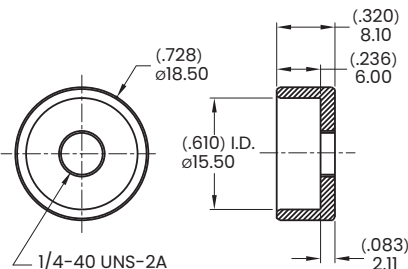
For 15/32-32 UNS-2A bushing

Lock Washer Standard
Model name. MNU-1M09

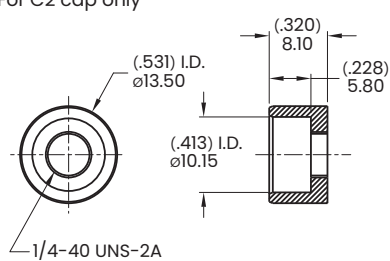


For 15/32-32 UNS-2A bushing

Dress Nut
Model name. MNU-1M19 MOQ: 10K



Dress Nut
Model name. MNU-1M20 MOQ: 10K
For C2 cap only



Dress Nut
Model name. MNU-1M21 MOQ: 10K
For C1 cap only

