



Specifications

Rating: 50 mA / 12 VDC.
 Electronics Life: 200,000 make-and-break cycles at full load
 Mechanical Life: 1,000,000 cycles
 Insulation Resistance: 100 MΩ Min.
 Dielectric Strength: 250V RMS@sea level.
 Contact Resistance: 100 mΩ Max (Initial value).
 Operating Temperature: -20°C to +70°C
 Travel: 0.85 mm ± 0.25 mm.
 Operating Pressure: 450 gf ± 150 gf.
 Torque: 11.5 kgf · cm

Ingree Protection: IP67 (In house test)



Materials

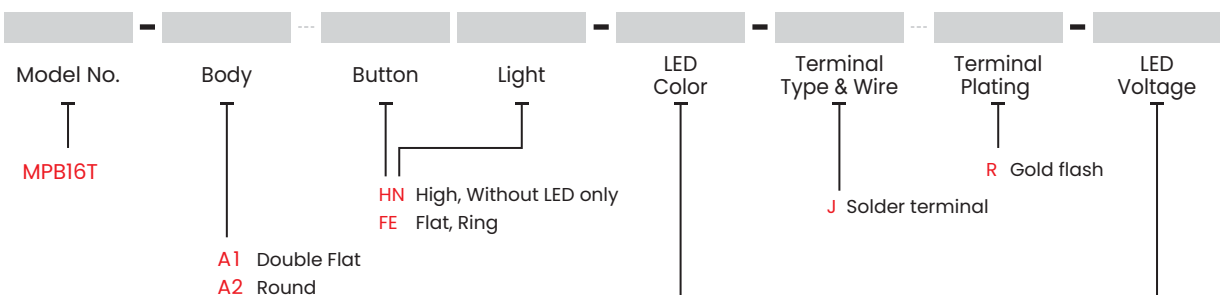
Bushing: Stainless steel
 Base: Nylon 6/6.
 Actuator: PC (Translucent UL 94 V-2)
 Cap: Stainless steel
 Rubber: Silicone (Translucent)
 Sealong: Viton.
 O-Ring: Silicone (Translucent).
 Terminal: Brass, gold flash over silver plated.
 Contact: Stainless, silver plated.
 Hex Nut: Brass (Nickel plated).

Soldering Process

Manual Soldering: Use 60 watts soldering iron and controlled the temperature at 280°. Duration of solder immersion: Max. 3 sec.

HOW TO ORDER

Note: Specifications and availability subject to change without notice.



Item No.	Color
0	Without LED
6	Green
7	Blue

Note: 1. Current limiting resistor is required to limit LED forward current to 20 mA.
 2. Other LED colors need to be confirmed

Resistance (About LED Voltage)	
0V	Without Resistance
3V	LED input 3 VDC, 47Ω Note: Red/Yellow/Orange LED type only
6V	LED input 6 VDC, 180Ω
12V	LED input 12 VDC, 470Ω
24V	LED input 24 VDC, 1000Ω

Note: Ohms value of resistance tolerance: ±5%

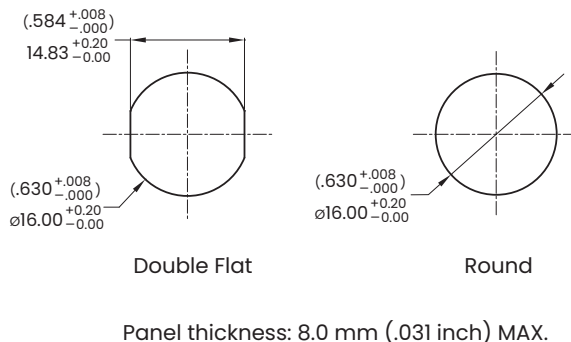
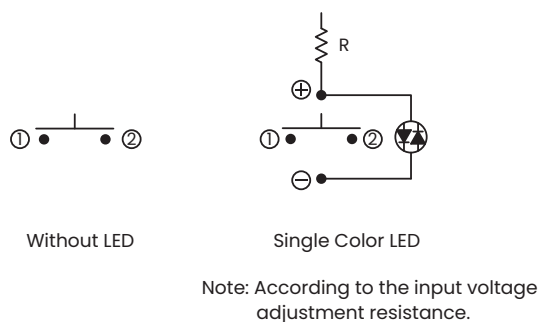
EXAMPLE:

MPB16T-A2HN-0-JR-0V (Without LED)

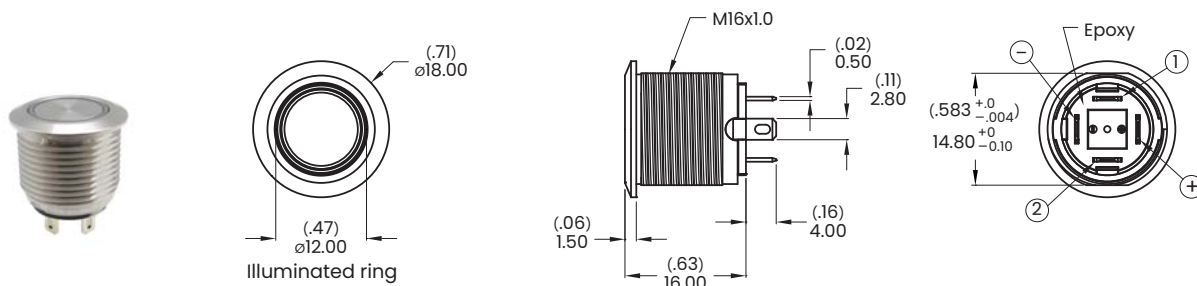
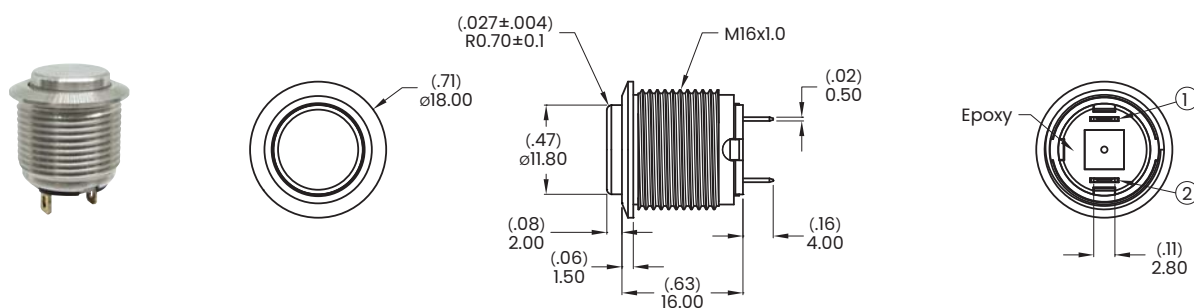
MPB16T-A2FE-6-JR-□V
 □ LED Voltage



▼ **CIRCUIT AND PANEL MOUNTING**



▼ **DIMENSION**

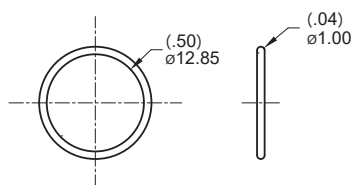


▼ **HARDWARE**

* Standard hardware : 1 Nut, 1 O-Ring
* For further information please consult sales representative.

O-Ring

Model name. FCP-MP602



Hex Nut

Model name. MNU-PY01

